

CT (Computerized Tomography) Scan

CT Scan shows pictures of your body parts. A small amount of dye may be put into a vein in your arm. This dye leaves your body after a few days.

If you have any allergies to medicines, foods or other things, tell the staff before the test.

If you are pregnant or think you might be, tell the staff before the test.

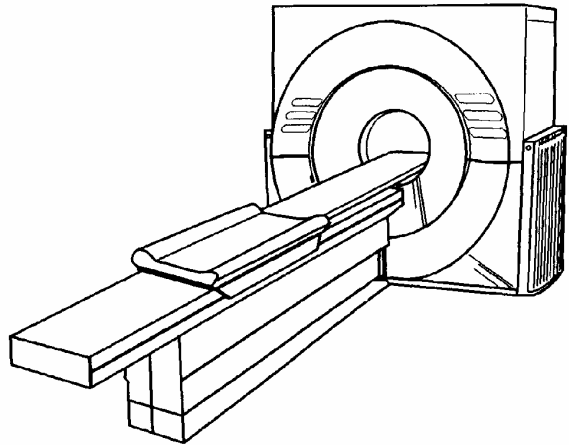
Arrive on time for your test. The test takes 15-20 minutes for each area you are having checked. If you are having a scan of your abdomen (stomach) or pelvis, allow for an extra 2 hours to drink the liquid dye.

To Prepare

- Do not eat or drink anything, including water, for 4 hours before the test.
- You may take your medicines with sips of water.

During the Test

- If you are having an abdominal (stomach) or pelvic scan, you need to drink liquid dye. You drink the first part of the liquid when you arrive, more about 30 minutes later and the rest of the liquid just before your scan, about 1 hour later.
- You will wear a hospital gown and lie on a table.
- An IV (intravenous) is put in a vein in your arm.
- Dye is put into your IV. You may feel hot or flushed for a few seconds.
- Lie still during the scan.
- You may be asked to hold your breath at times.
- The table moves slightly between each scan.



CT (電腦斷層攝影) 掃描

CT 掃描顯示您身體各部份的照片。可能要將少量顏料注入您上臂的靜脈內。這種顏料幾天之後會從您的身內排掉。

如果您對任何藥物、食物或其他物質敏感，請在試驗前告訴工作人員。

如果您已懷孕或認為您可能已懷孕，請在檢查前告知醫療人員。

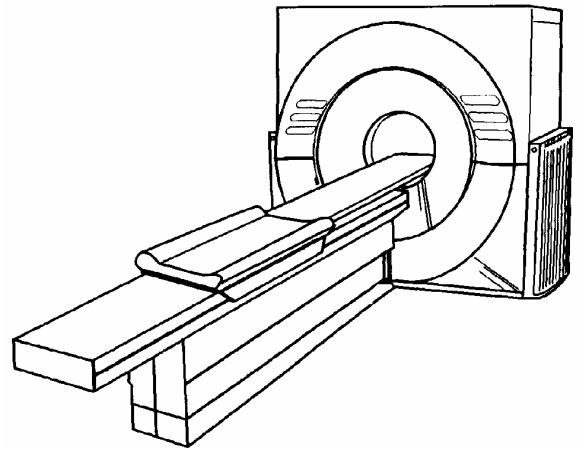
做檢查請準時到達。 檢查每一部位要花 15-20 分鐘。如果您要做腹部（胃）或骨盆掃描，請多預備 2 個小時喝液體顏料。

準備工作

- 檢查之前的 4 個小時不要吃喝任何東西，包括水。
- 您可小口喝水服藥。

檢查期間

- 如果您要做腹部（胃）或骨盆掃描，您需要喝液體顏料。您到達時喝第一部份液體，30 多分鐘之後再喝一次，大約 1 小時之後僅在您掃描之前喝剩餘的液體。
- 您將穿醫院的袍子，躺在一張臺子上。
- 將在您的手臂靜脈中作 IV(靜脈注射)。
- 顏料靜脈注入您體內，可能有幾秒鐘您會覺得發熱或臉發紅。
- 掃描時請靜躺。
- 您可能不時被要求屏住呼吸。
- 桌子在每次掃描之間要稍作移動。



After the Test

- You may return to your normal diet and activity.
- If you had an abdominal or pelvic scan, you may have some loose stool from the liquid you drank.
- Test results are sent to your doctor. Your doctor will share the results with you.

Talk to your doctor or nurse if you have any questions or concerns.

檢查之後

- 您可恢復正常飲食和活動。
- 如果做了腹部或骨盆掃描，您可能會由於所喝的液體而有些拉稀。
- 檢查結果會送給您的醫生。您的醫生將告知您結果。

如果您有任何疑問或關注事項，請告知您的醫生或護士。

CT SCAN. Traditional Chinese.

3/2007. Developed through a partnership of The Ohio State University Medical Center, Mount Carmel Health and OhioHealth, Columbus, Ohio. Available for use as a public service without copyright restrictions at www.healthinfotranslations.com.