

Bone Scan

A bone scan is a test that checks your bones. A very small amount of radioactive dye is given to let your doctor see your bones. Your body will get rid of the dye on its own.

This test has two parts. You will be given two appointment times. **Arrive on time for each part of the test.**

If you have any allergies to medicines, foods or other things, tell the staff before the test.

If you are breastfeeding, pregnant or think you might be, tell the staff before the test.

During the Test

Part One:

An IV (intravenous) is put in a vein in your arm. The dye is put into your IV. One or two scans may be done. Lie flat and hold still as each scan is done.

The first part of your test is at _____ morning/afternoon

Time

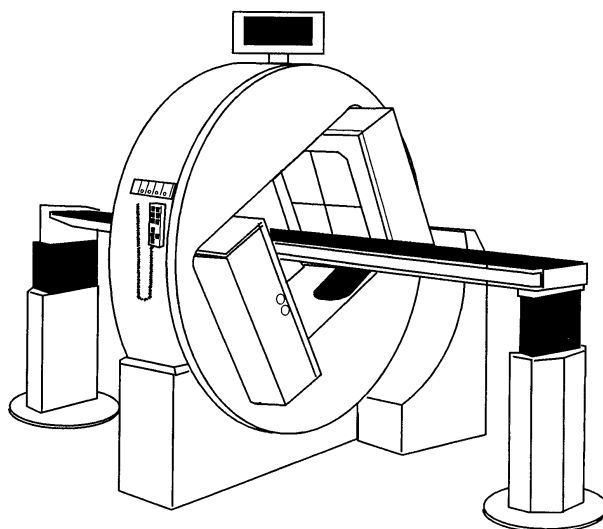
on _____, 20_____.
Month Day Year

Part Two:

About 3 hours later, you need to return to have a scan done of your whole body. You lie on a table during the scan. This takes about 1 hour.

The second part of your test is at _____ morning/afternoon.

Time



骨扫描

骨扫描是检查骨头的一项测试。将用很少量的放射性颜料以便让医生看到您的骨头。您的身体将自行排出颜料。

此测试有两部分。您将会有两次约诊。**每一部分的测试都请准时到达。**

如果您对药物、食物或其他东西有任何过敏，请在测试前告知医疗人员。

如果您哺乳、已怀孕或认为您可能会怀孕，请在测试前告知医疗人员。

测试期间

第一部分：

在您手臂的静脉中作 IV (静脉注射)。颜料放于 IV 中。可能要做一次或两次扫描。做每一部分扫描时请平躺并保持不动。

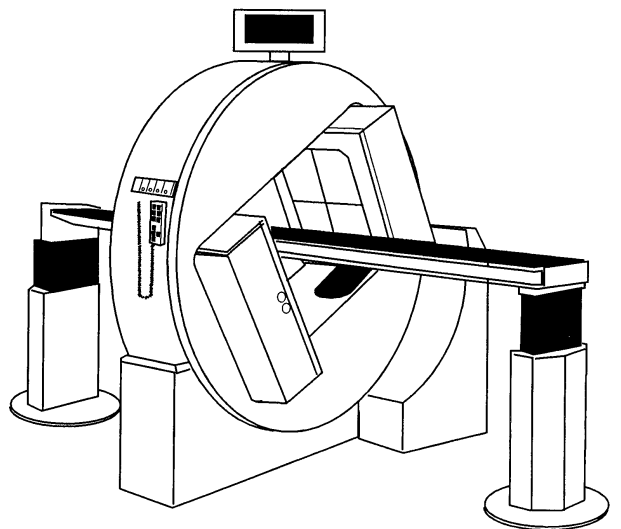
您的第一部分测试是在 _____ 上午/下午
时间

在 _____, 20____。
月 日 年

第二部分：

大约 3 小时之后，您需要回来做全身扫描。扫描期间您躺在一张台子上。这约需 1 个小时。

您的第二部分测试是在 _____
上午/下午。 时间



After the Test

- Drink plenty of liquids the day of the test to help get rid of the dye.
- Test results are sent to your doctor. Your doctor will share the results with you.

Talk to your doctor or nurse if you have any questions or concerns.

测试之后

- 测试当天喝大量液体以帮助排出颜料。
- 测试结果会送给您的医生。您的医生会告知您结果。

如有任何疑问或关注事宜，请告知您的医生或护士。

Bone Scan. Simplified Chinese.

1/2006. Developed through a partnership of The Ohio State University Medical Center, Mount Carmel Health and OhioHealth, Columbus, Ohio. Available for use as a public service without copyright restrictions at www.healthinfotranslations.com.