

# CT (Computerized Tomography) Scan

CT Scan shows pictures of your body parts. A small amount of dye may be put into a vein in your arm. This dye leaves your body after a few days.

**If you have any allergies to medicines, foods or other things, tell the staff before the test.**

**If you are pregnant or think you might be, tell the staff before the test.**

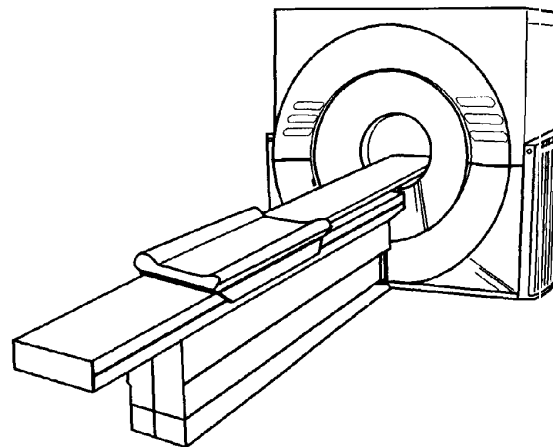
**Arrive on time for your test.** The test takes 15-20 minutes for each area you are having checked. If you are having a scan of your abdomen (stomach) or pelvis, allow for an extra 2 hours to drink the liquid dye.

## To Prepare

- Do not eat or drink anything, including water, for 4 hours before the test.
- You may take your medicines with sips of water.

## During the Test

- If you are having an abdominal (stomach) or pelvic scan, you need to drink liquid dye. You drink the first part of the liquid when you arrive, more about 30 minutes later and the rest of the liquid just before your scan, about 1 hour later.
- You will wear a hospital gown and lie on a table.
- An IV (intravenous) is put in a vein in your arm.
- Dye is put into your IV. You may feel hot or flushed for a few seconds.
- Lie still during the scan.
- You may be asked to hold your breath at times.
- The table moves slightly between each scan.



## After the Test

- You may return to your normal diet and activity.

# CT (电脑断层摄影) 扫描

CT 扫描显示您身体各部分的照片。可能要将少量颜料注入您上臂的静脉内。这种颜料几天之后会从您的体内排掉。

**如果您对药物、食物或其他东西有任何过敏，请在检查前告知医疗人员。**

**如果您已怀孕或认为您可能已怀孕，请在检查前告知医疗人员。**

**做检查请准时到达。**检查每一部位要花 15-20 分钟。如果您要做腹部(胃)或骨盆扫描，请多预备 2 个小时喝液体颜料。

## 准备工作

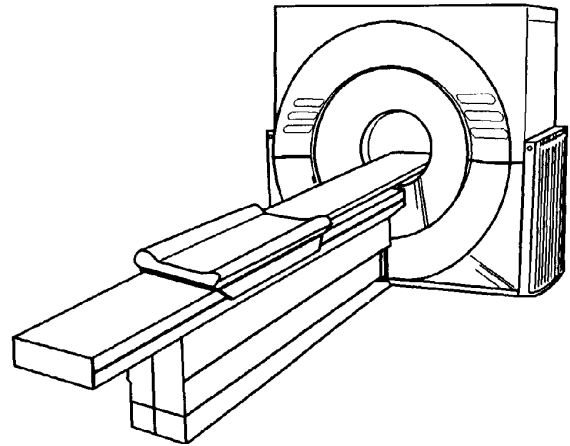
- 检查之前的 4 个小时不要吃喝任何东西，包括水。
- 您可小口喝水服药。

## 检查期间

- 如果要做腹部(胃)或骨盆扫描，您需要喝液体颜料。您到达时喝第一部分液体，30 多分钟之后再喝一次，大约 1 小时之后仅在您扫描之前喝剩余的液体。
- 您将穿医院的袍子，躺在一张台子上。
- 将在您的手臂静脉中作 IV(静脉注射)。
- 颜料静脉注入您体内，可能有几秒钟您会觉得发热或脸发红。
- 扫描时请静躺。
- 您可能不时被要求屏住呼吸。
- 桌子在每次扫描之间要稍作移动。

## 检查之后

- 您可恢复正常饮食和活动。



- If you had an abdominal or pelvic scan, you may have some loose stool from the liquid you drank.
- Test results are sent to your doctor. Your doctor will share the results with you.

**Talk to your doctor or nurse if you have any questions or concerns.**

- 如果做了腹部或骨盆扫描，您可能会由于所喝的液体而有些拉稀。
- 检查结果会送给您的医生。您的医生将告知您结果。

**如果您有任何疑问或关注事宜，请告知您的医生或护士。**

CT SCAN. Simplified Chinese.

9/2005. Developed through a partnership of The Ohio State University Medical Center, Mount Carmel Health and OhioHealth, Columbus, Ohio. Available for use as a public service without copyright restrictions at [www.healthinfotranslations.com](http://www.healthinfotranslations.com).