

# CT (Computerized Tomography) Scan

CT Scan shows pictures of your body parts. A small amount of dye may be put into a vein in your arm. This dye leaves your body after a few days.

**If you have any allergies to medicines, foods or other things, tell the staff before the test.**

**If you are pregnant or think you might be, tell the staff before the test.**

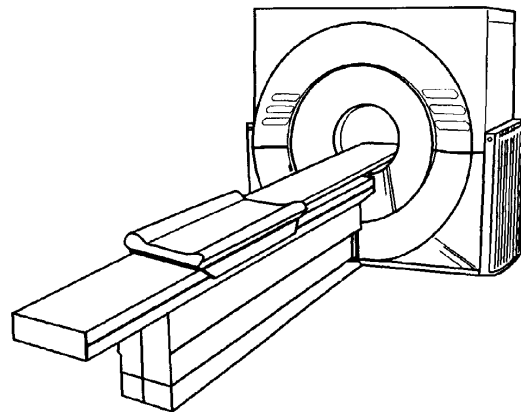
**Arrive on time for your test.** The test takes 15-20 minutes for each area you are having checked. If you are having a scan of your abdomen (stomach) or pelvis, allow for an extra 2 hours to drink the liquid dye.

## **To Prepare**

- Do not eat or drink anything, including water, for 4 hours before the test.
- You may take your medicines with sips of water.

## **During the Test**

- If you are having an abdominal (stomach) or pelvic scan, you need to drink liquid dye. You drink the first part of the liquid when you arrive, more about 30 minutes later and the rest of the liquid just before your scan, about 1 hour later.
- You will wear a hospital gown and lie on a table.



# Sawirka Jidhka ee Kombuyuutarka (CT [Computerized Tomography])

Sawirka CT wuxuu muujiyaa sawirrada qaybaha jidhkaaga. Qaddar yar oo dheeh ah ayaa laga yaabaa in lagu shubo xididka gacantaada. Dheehaan wuxuu jidhkaaga ka baxayaa dhowr maalmood ka dib.

**Haddii aad wax xajiin ah ka qaaddid daawooyinka, cuntooyinka ama waxyaabo kale, shaqaalaha u sheeg baaritaanka ka hor.**

**Haddii aad uur leedahay ama aad u maleyneyso in aad uur yeelanayso, shaqaalaha u sheeg baaritaanka ka hor.**

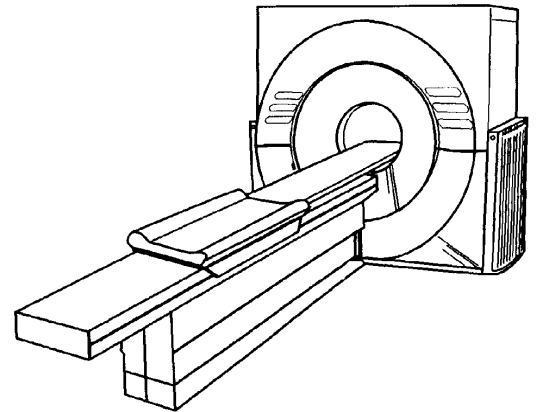
**Baaritaankaaga waqtiga ku imow.** Baaritaanku wuxuu qaadanayaa 15-20 daqiiqadood ee meel kasta ee laga baarayo. Haddii uur ku jirta (caloosha) ama sinaha lagaa sawirayo, oggolow 2 saacadood oo dheeraad ah in aad ku cabto dareeraha dheeha.

## Si aad isugu Diyaariso

- Waxna ha cunin waxnana ha cabbin, marka lagu daro biyo, ilaa 4 saacadood baaritaanka ka hor.
- Waxaad daawooyinka ku qaadan kartaa kabbashooyin biyo ah.

## Waqtiga Baaritaanka

- Haddii uur ku jirta (caloosha) ama sinaha lagaa sawirayo, waxaad u baahan tahay in aad cabto dareeraha dheeha. Waxaad qayb koowaad ee cabitaanka cabbaysaa markaad timaaddo, in kale oo badanna 30 daqiiqadood ka dib inta soo hartayna marka sawirka lagaa qaadayo horteed, qiyaastii 1 saac ka dib.
- Waxaad xidhan doontaa goonnada isbitaalka waxaadna ku seexanaysaa miis.



CT Scan. Somali.

- An IV (intravenous) is put in a vein in your arm.
- Dye is put into your IV. You may feel hot or flushed for a few seconds.
- Lie still during the scan.
- You may be asked to hold your breath at times.
- The table moves slightly between each scan.

### **After the Test**

- You may return to your normal diet and activity.
- If you had an abdominal or pelvic scan, you may have some loose stool from the liquid you drank.
- Test results are sent to your doctor. Your doctor will share the results with you.

**Talk to your doctor or nurse if you have any questions or concerns.**

- IV (xidid gale) ayaa xididka gacanta lagaa gelin doonaa.
- Dheeh ayaa lagaaga shubayaa IV-gaaga. Waxaa laga yaabaa in aad dareento kuleyl ama in lagugu yaacay dhowr ilbidhiqsi.
- Si deggan u jiif waqtiga sawirka.
- Waxaa laga yaabaa in lagu weydiiyo mararka qaarkood in aad neefta ceshato.
- Miis ayaa si tartiib ah loo dhaqaajinayaa marka sawir kasta la qaadayo.

### **Baaritaanka ka dib**

- Waxaad ku noqonaysaa cuntadaadii iyo hawlahaagii caadiga ahaa.
- Haddii uur ku jirta ama sinaha lagaa sawirayo, waxaa laga yaabaa in cabbitaanka aad cabbayso uu saxaro jileec kuu keeno.
- Natiijooyinka baaritaannada takhtarkaaga ayaa loo dirayaa. Takhtarkaaguna natiijooyinka ayuu kula socodsiin doonaa.

**La hadal dhakhtarkaaga ama kalkaalisada haddii aad wax su'aalo ah ama walaacyo ah aad qabtid.**

CT Scan. Somali.

2/2006. Developed through a partnership of The Ohio State University Medical Center, Mount Carmel Health and OhioHealth, Columbus, Ohio. Available for use as a public service without copyright restrictions at [www.healthinfotranslations.com](http://www.healthinfotranslations.com).